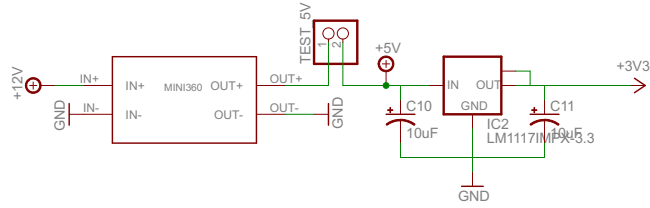
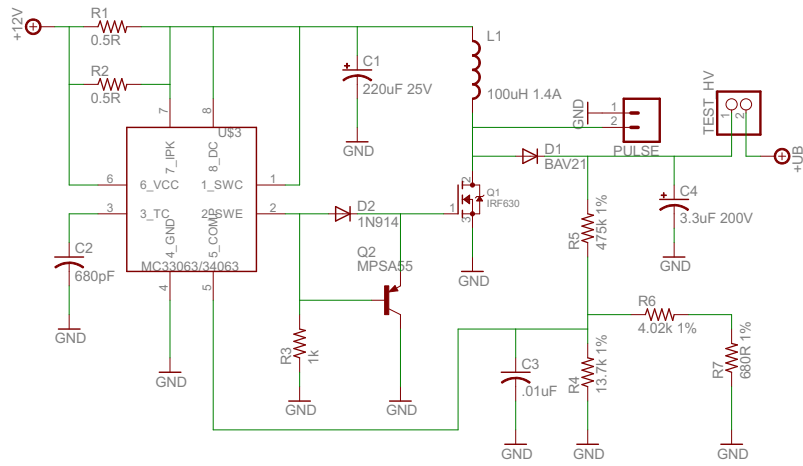


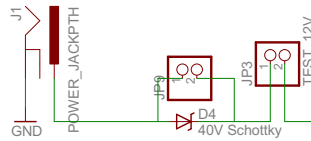
5V & 3V3 POWER



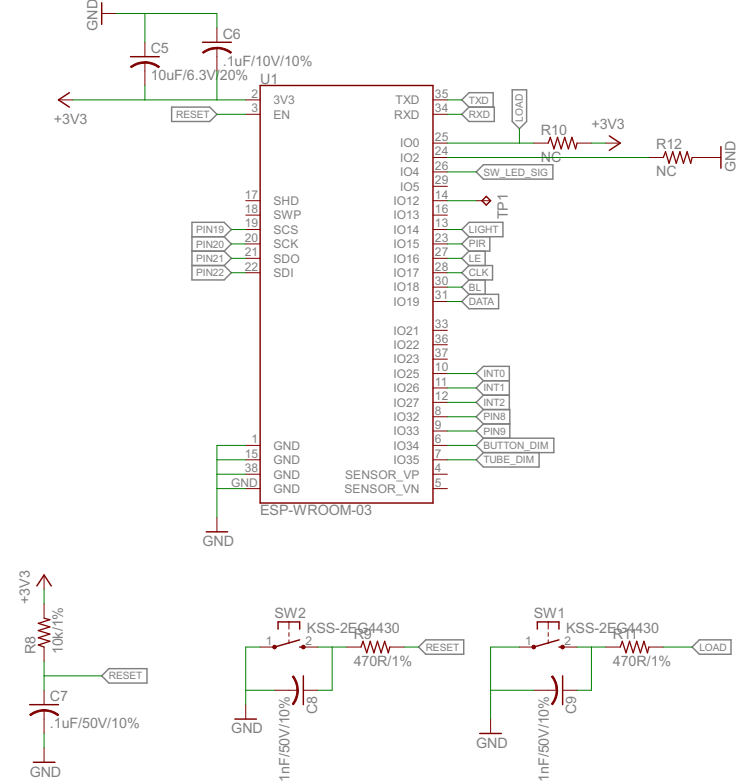
HV POWER



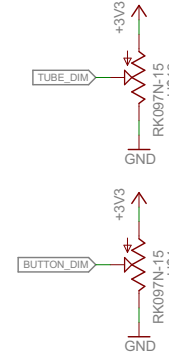
POWER IN 12V DC



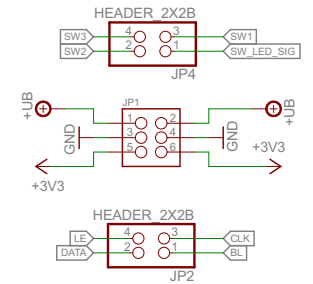
ESP32



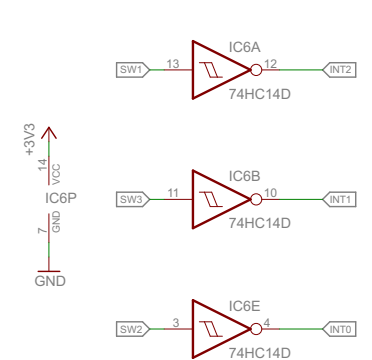
DIMMING POTS



CONNECTORS TO TUBE BOARD



BUTTON SCHMITT TRIGGER



OTHER HEADERS

