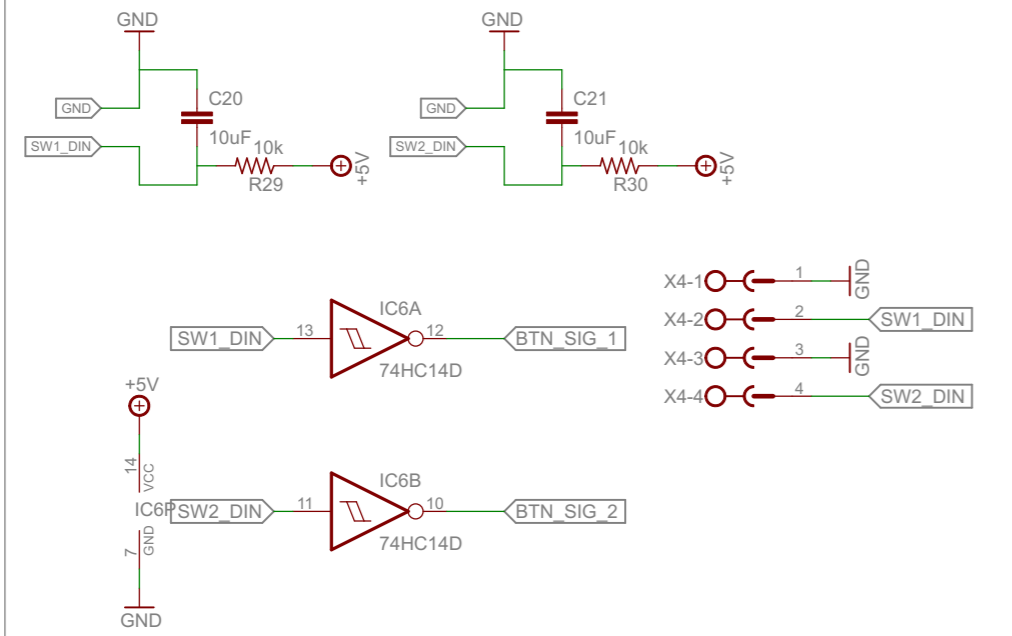
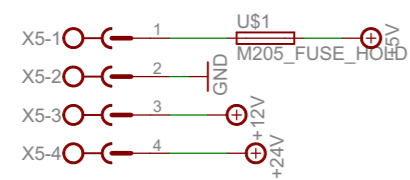


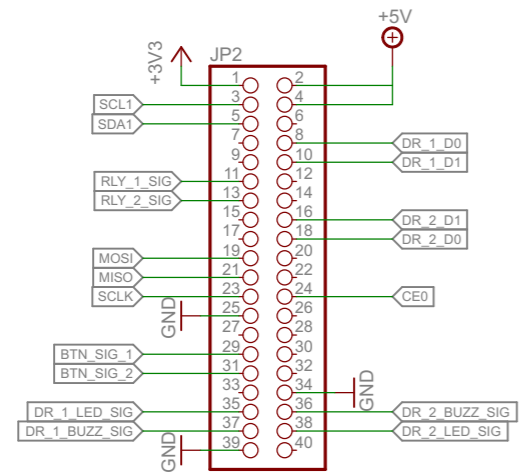
MANUAL DOOR
PUSH BUTTONS (DOOR 1 & 2)
AND TERMINAL BLOCK



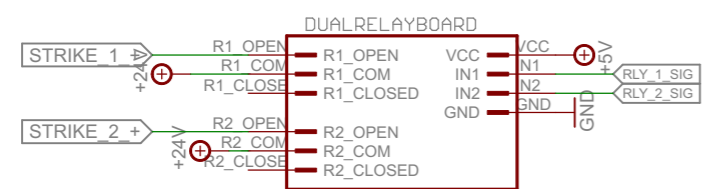
INPUT FROM POWER SUPPLY



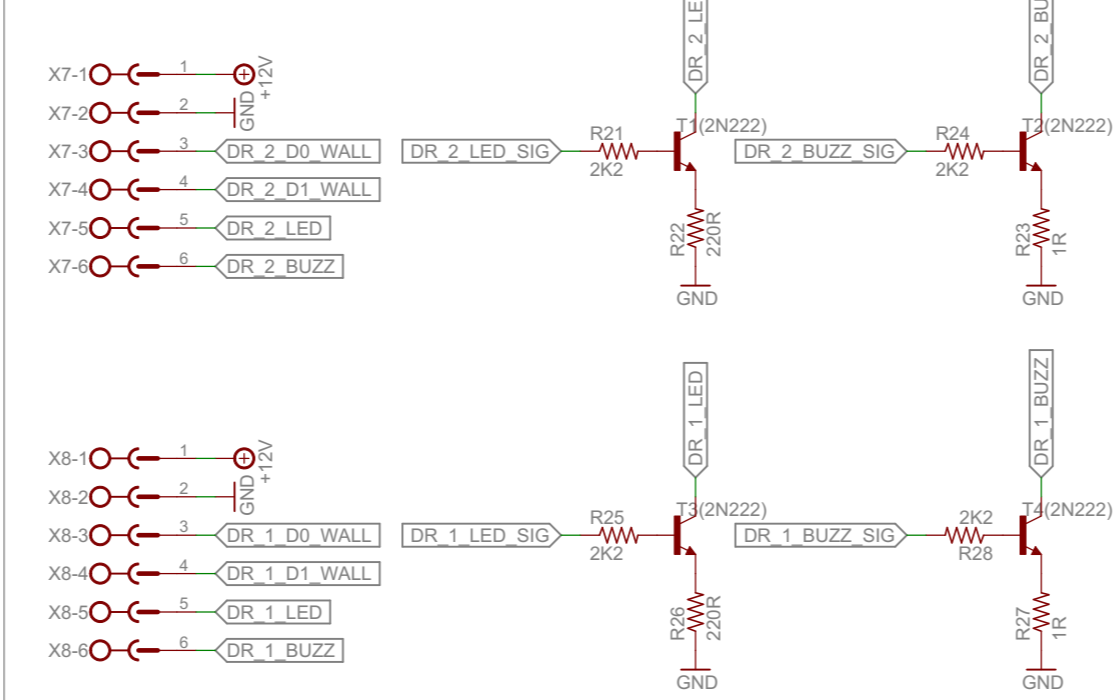
RASPBERRY PI
HEADER



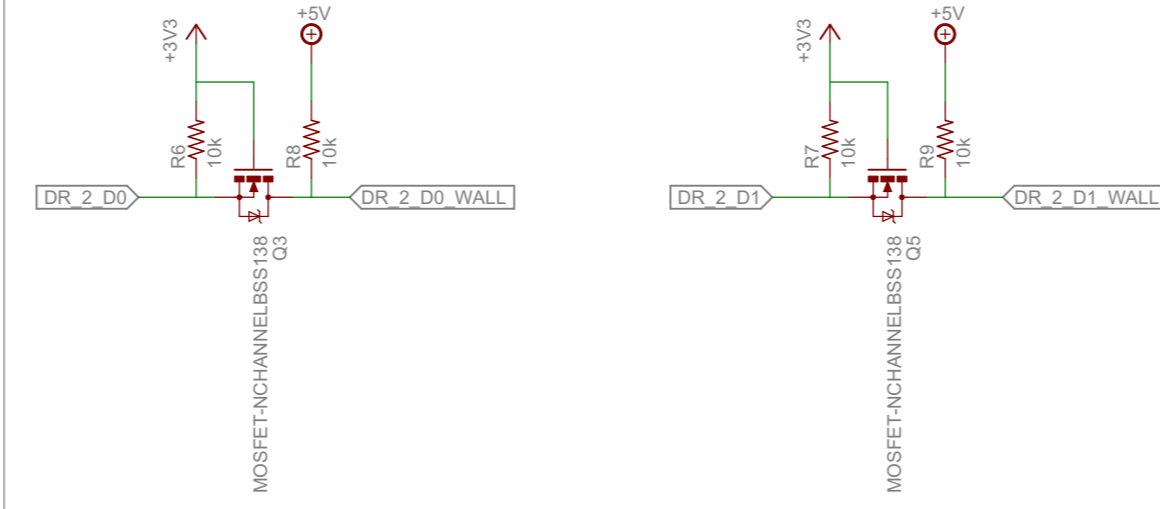
DUAL RELAY MODULE



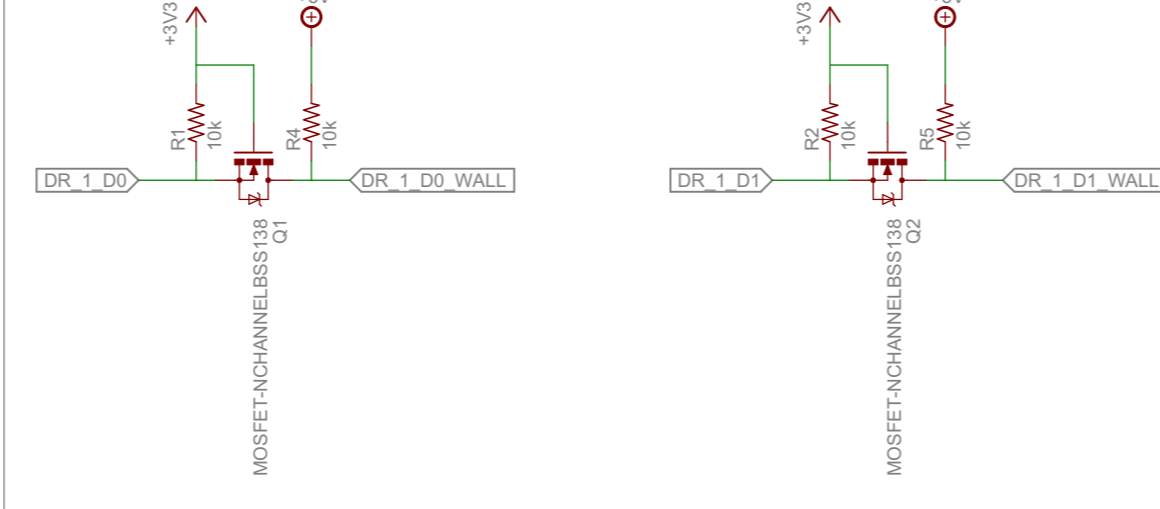
DOOR 1 & DOOR 2
WALL UNIT CONNECTORS



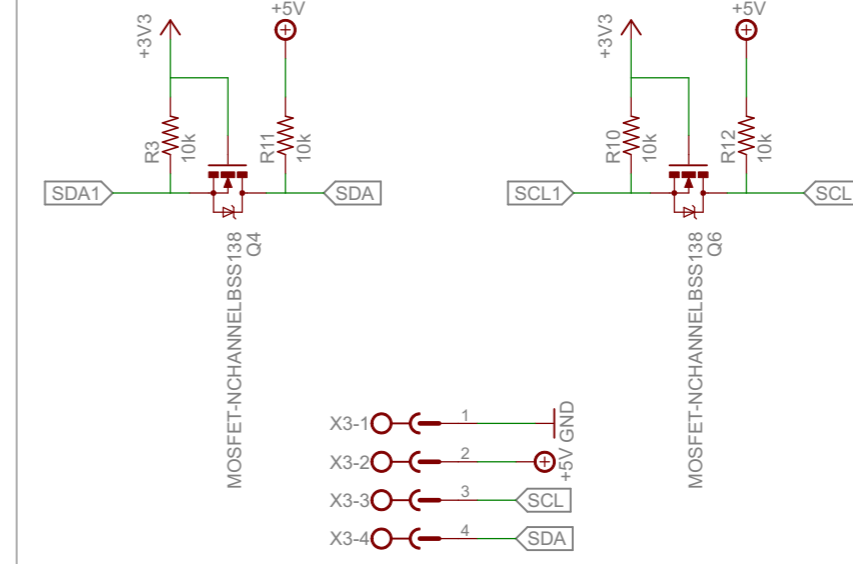
DOOR 2 WIEGAND
LEVEL CHANGERS



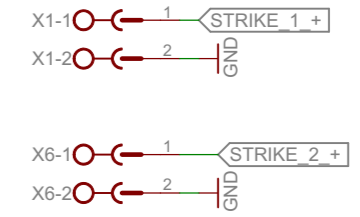
DOOR 1 WIEGAND
LEVEL CHANGERS



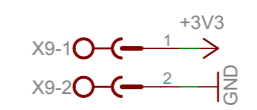
I2C LEVEL CHANGERS
AND TERMINAL BLOCK
WITH 5V & GND



TERMINALS TO DOOR STRIKES



TERMINALS FOR
3v3



SPI LEVEL CHANGERS
AND TERMINAL BLOCK

