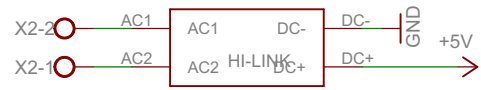
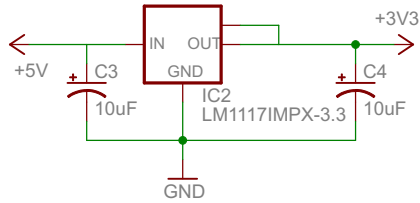


### POWER

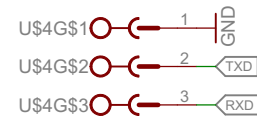


AC to 5V DC

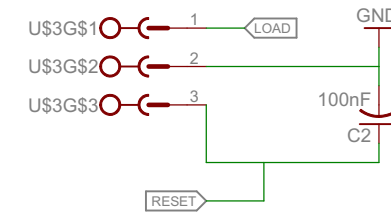


3V3 REGULATOR

### TERMINAL HEADERS

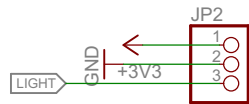


PROGRAMMER

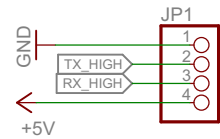


LOAD/RESET BUTTONS

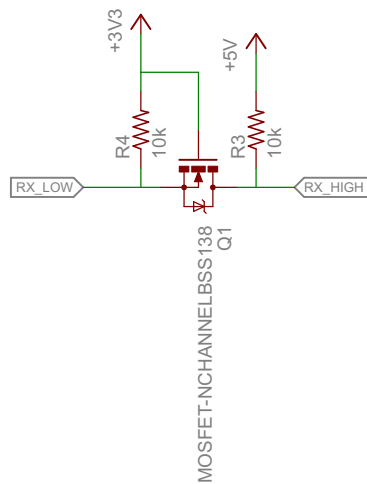
### NEXTION & LIGHT SENSOR CONNECTORS



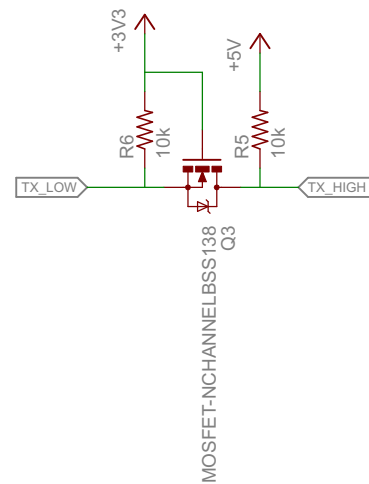
LIGHT SENSOR



NEXTION DISPLAY



LEVEL SHIFT FOR NEXTION SERIAL



### ESP

